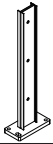
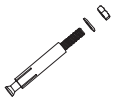
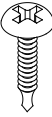

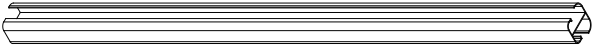

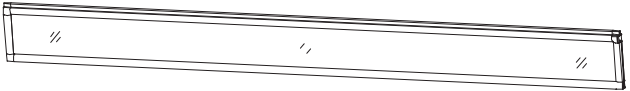



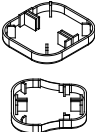
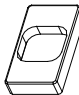
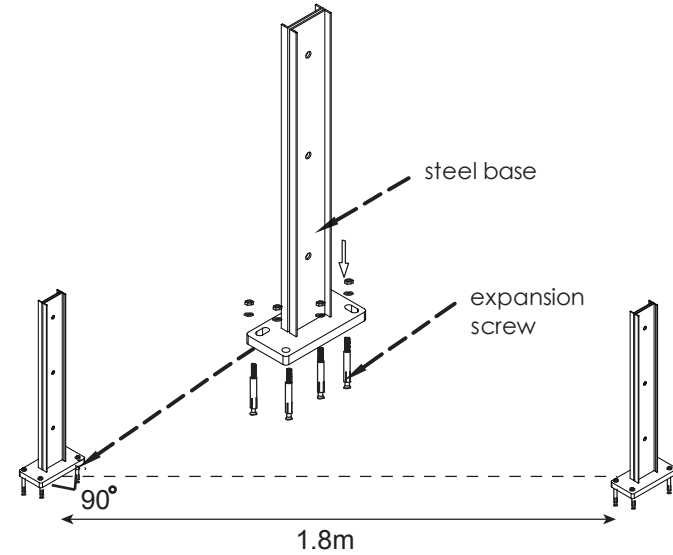


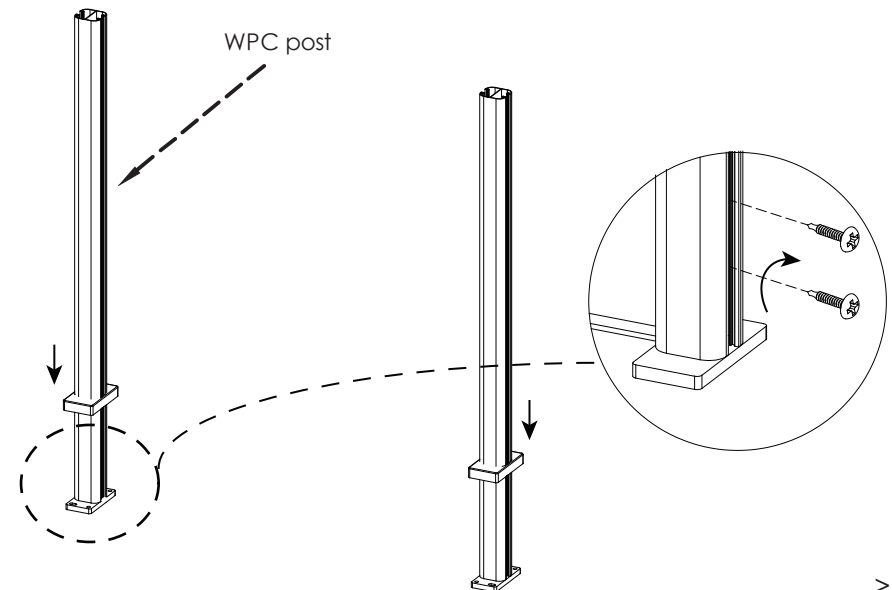
WPC fence board Installation Instruction

Steel base		Expansion screw		Screw	
ALU Post					
ALU Corner Post					
Fence board					
Alu frame with plexiglas plank					
The top finish cover					
The bottom finish cover					
Plastic distance piece		Plastic Post Cap		cap for steel base	

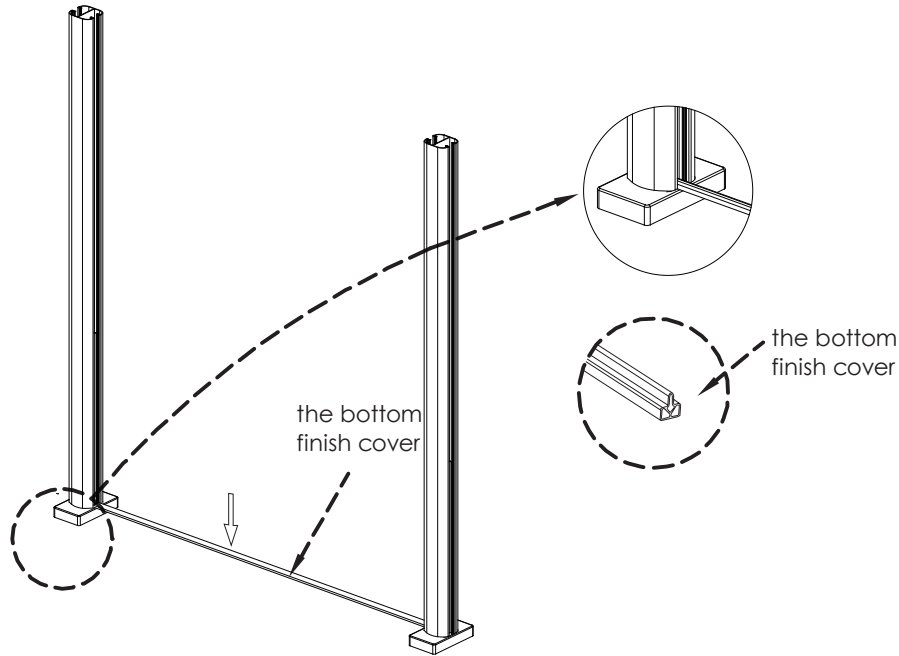
1. Put steel bases on flat ground base and use expansion screws to fix the steel bases.



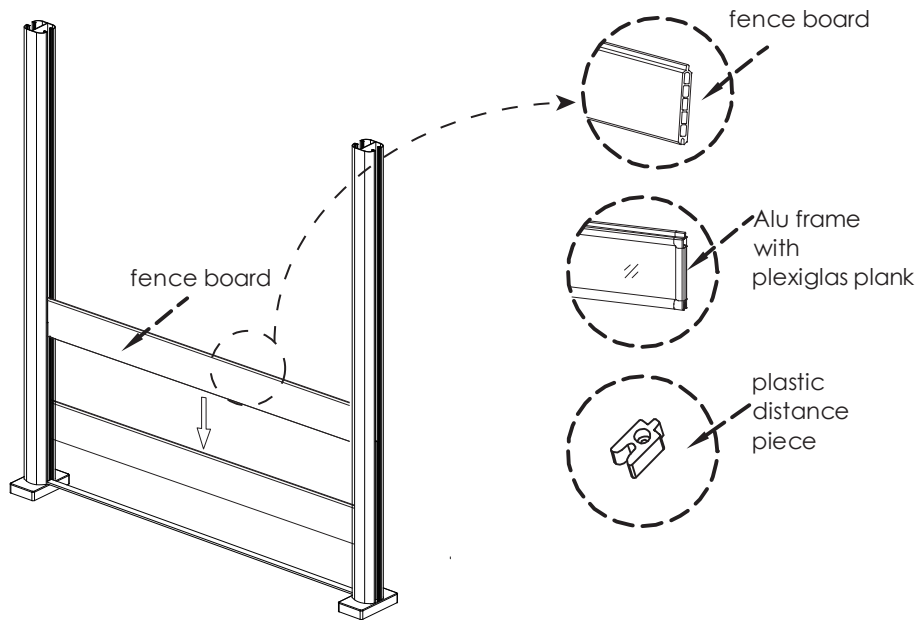
2. Make sure to put Steel Base Cap firstly. Use two screws to connect the Steel Base and the ALU Post.



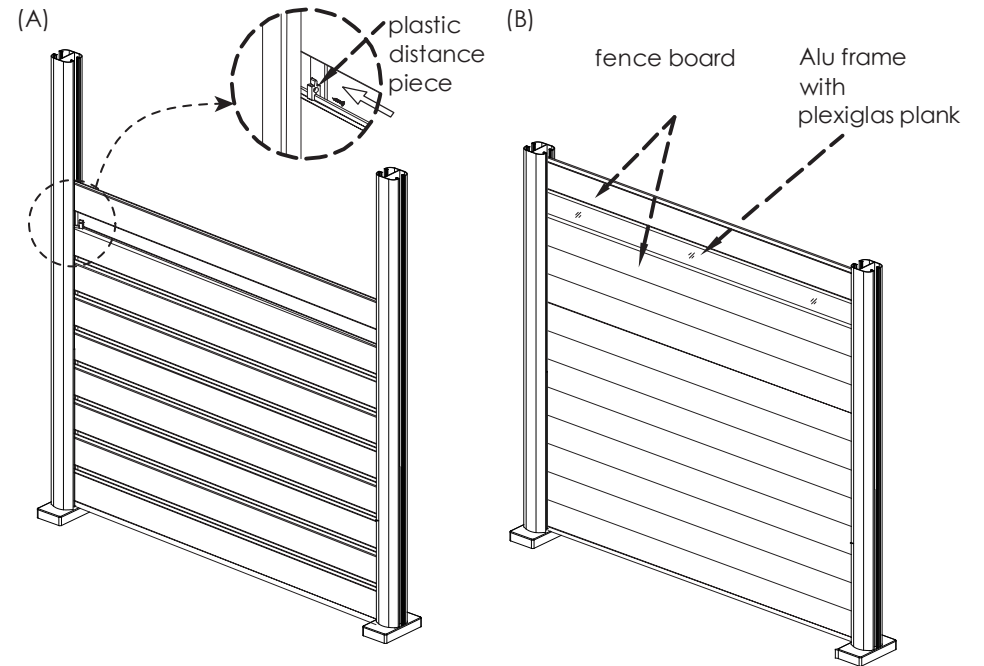
3. Slide down the bottom finish cover along the WPC post grooves to the bottom.



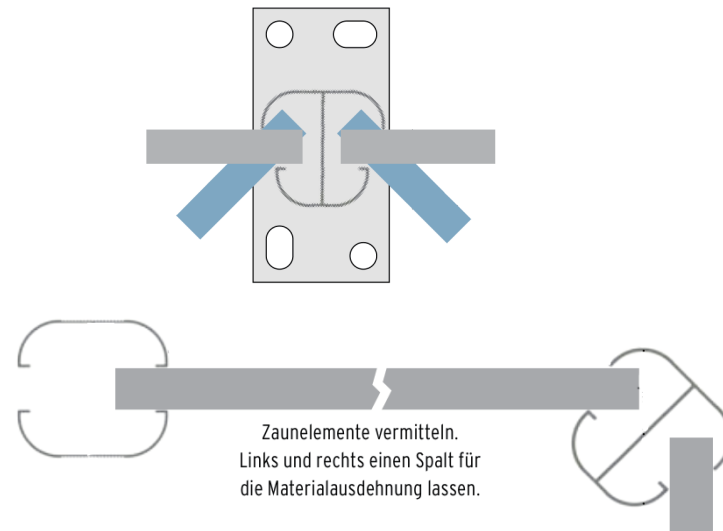
4. Slide the fence board along the WPC post grooves one by one, these fence boards linked together and form a wall. (refer to 4-1)



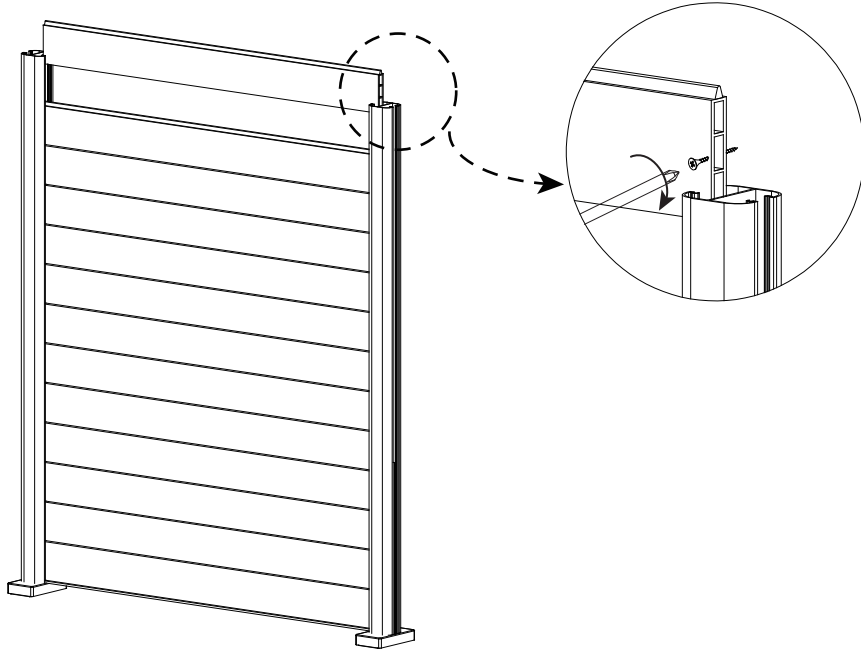
4-1. A is the shown drawing for fence board with distance pieces, B is the shown drawing with Alu Frame with plexiglas plank.



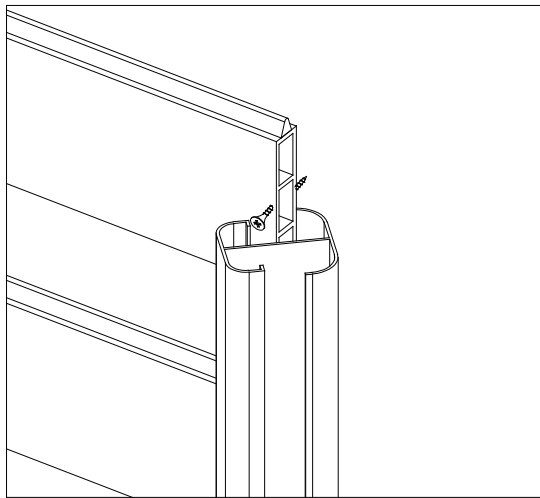
5. Need to adjust the angle to make a turn when installing the Fence? Please use the ALU Corner Post to adjust the angle.



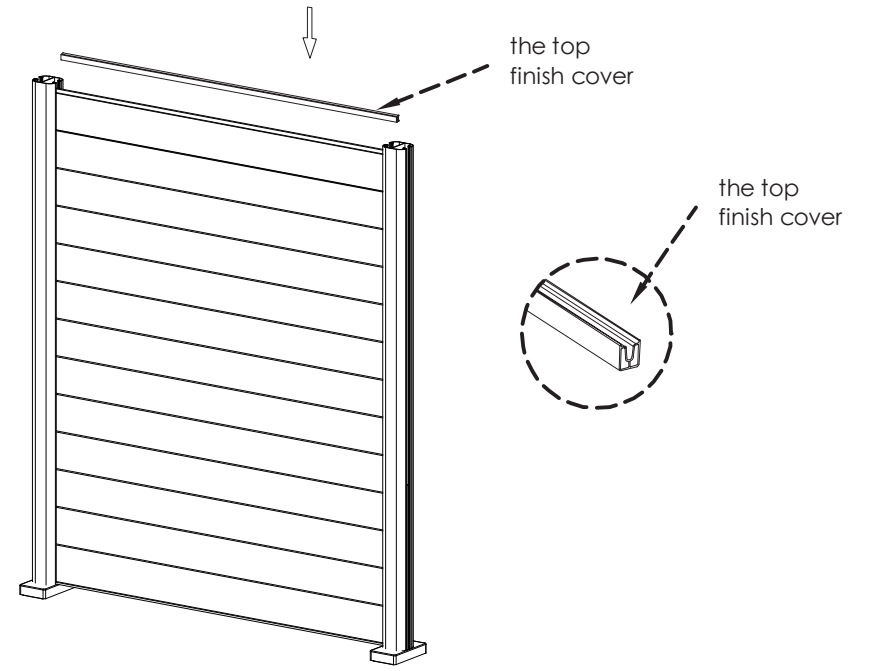
6. Use a screw install on the edge of the top pcs of fence board, to make the fence frame stronger.



7. The same usage when we install the corner post.



8. Slide down the top finish cover.



9. Put post hat on each WPC post, then the installation is finished.

